

# Centrality of data

# Archivio di Stato di Lucca

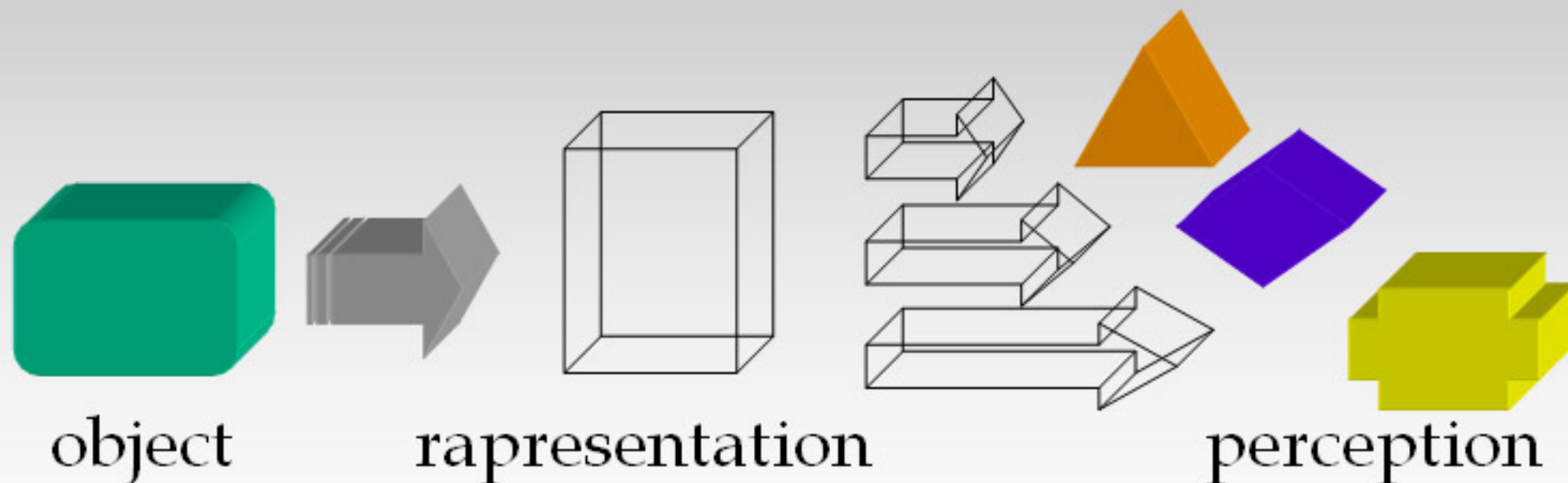
New possibilities to bring the data closer to  
the owner

Dr. Giovanni Tartaglione

[giovannitartaglione0@libero.it](mailto:giovannitartaglione0@libero.it)

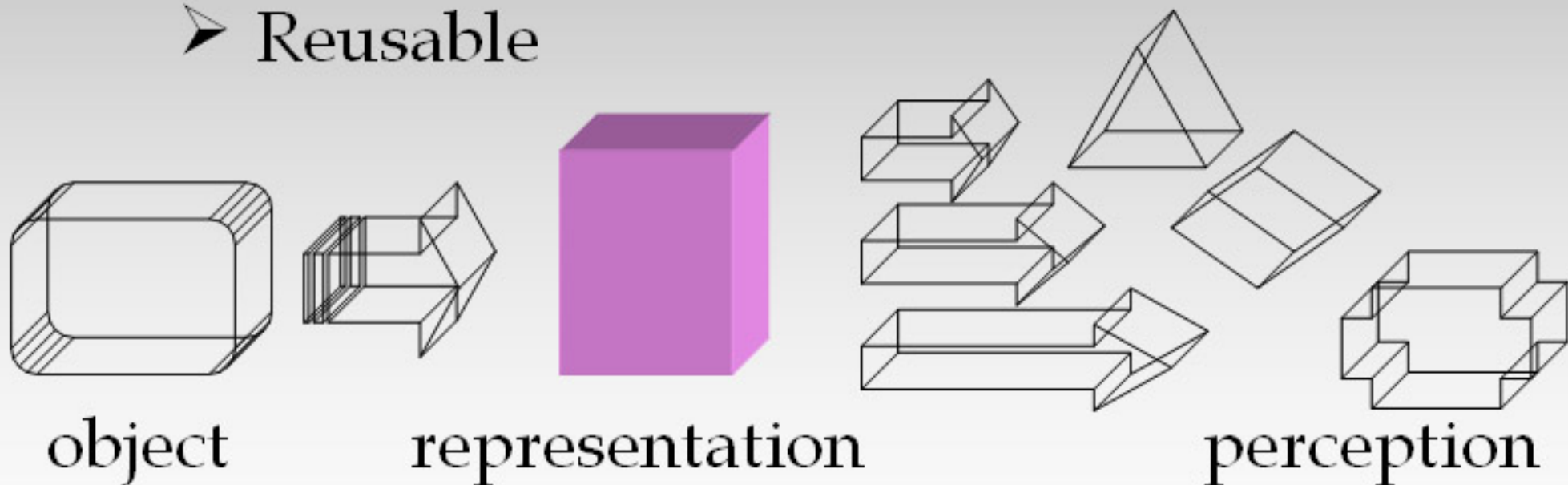
# The patrimony

- For the Owner is made of:
  - ✓ The physical objects
  - ✓ The informatic rapresentation of the object: its data and structure



# Representation

- Long life
- Transparent
- Able to grow in quantity and structure
- No dependency on proprietary sw
- Natively simple
- Very closed to the structure of the object
- Reusable

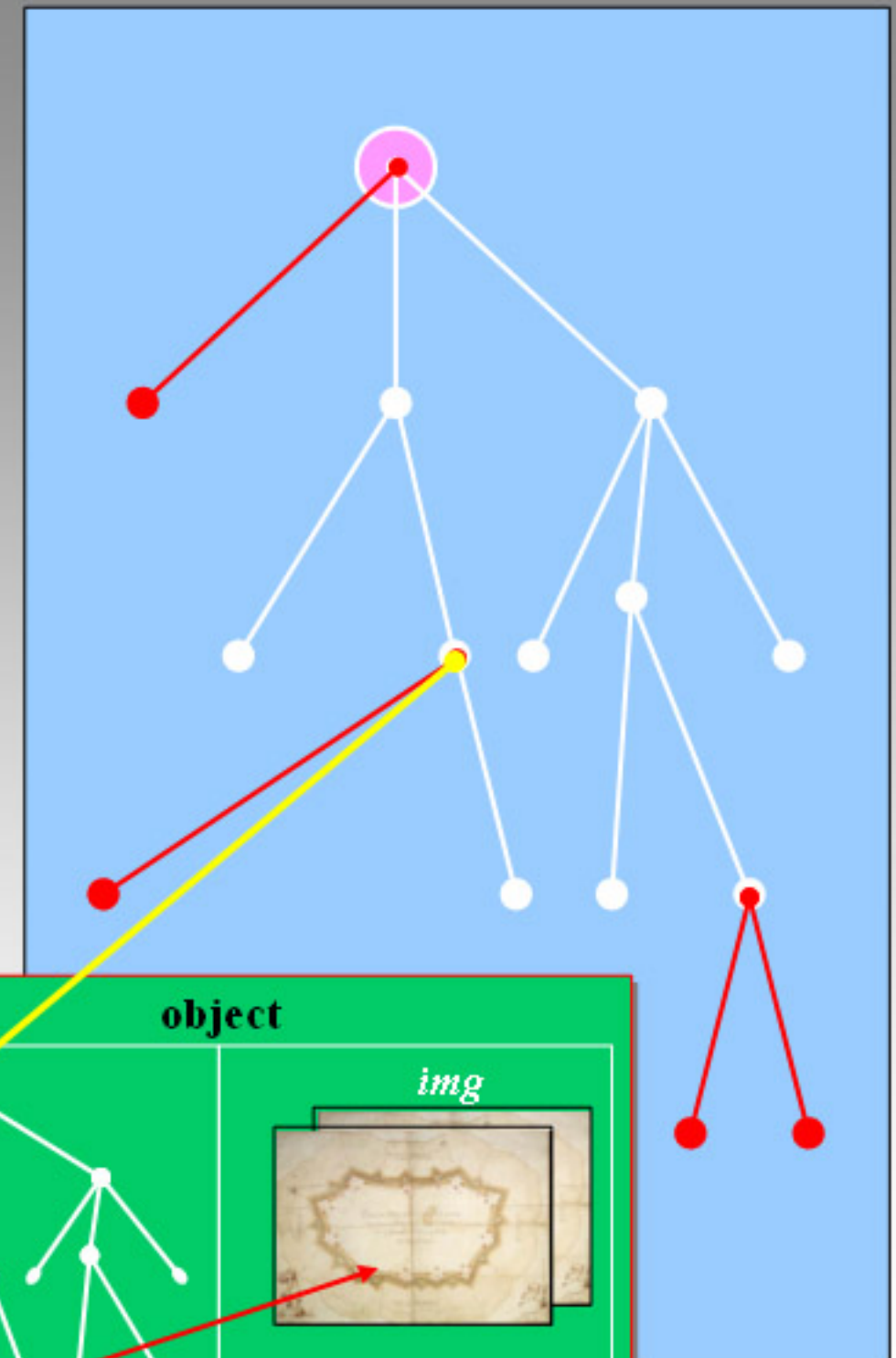


# & the represented object ?

- Not the single charter, the map, the single document
- But the Whole Archive
  - ✓ Its structure
  - ✓ Its localization
  - ✓ Its objects, as they are on the shelf

# Tree

- Object oriented with structure & data inside
- Each node
  - ✓ natively complete object
  - ✓ refs to father and sons
  - ✓ In one /dir/ with its own images
- immediate selection without application
- The extraction of a sub-tree is immediate.

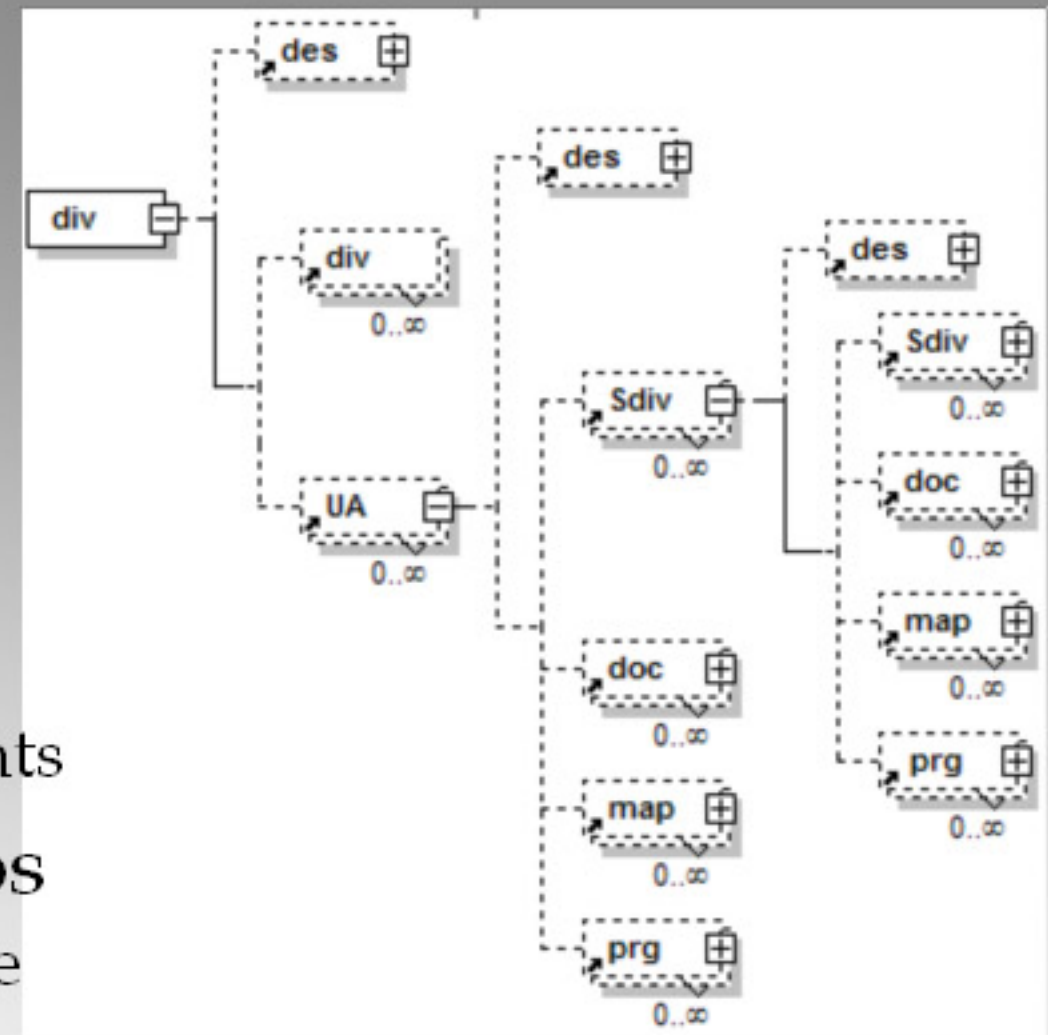




# The solution e\_ASLU

➤ e\_ASLU, a tree that represent all the Archive.

- ✓ Unlimited levels
- ✓ Each leaf has its own structure and data
  - Documents, maps, parchments
- ✓ Each node has its own infos
  - es.: folder, its description, the title, the images of the cover, ...
- ✓ Each node is member of a node father and so recursively up to the tree-root



## ➤ & each node

- ✓ Reflects the nature of the level

- fondo, serie, doc,...

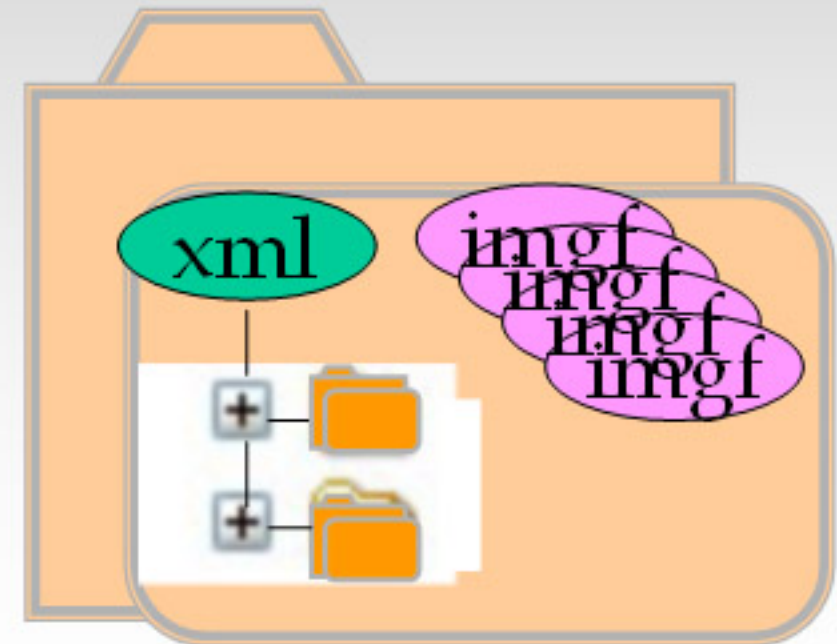
- Optional fields

- Repetitive fields

- Reduced number of obligatory fields

# E\_ASLU method

- XML/XSLT to represent natively the Repository
- Directory-structure reproduces the logical tree.
- Each node is completely contained in a /directory, made of
  - ✓ An XML file, descriptor of the node
  - ✓ More image files
  - ✓ A subdir for each son





# Images

- Max quality
- Image Server XLIMAGE
- Piramyd for fast handling
- No secondary format
  - ✓ (thumbnail, reduced density)
  
- High density images
- Huge images

# e\_ASLU - program

## ✓ Diplomatic:

- ❑ More than 20.000 parchments
- ❑ About 50.000 images

## ✓ Maps:

- ❑ 5.000
- ❑ More than 10.000 images

## ✓ Land Registers

# As for indexes

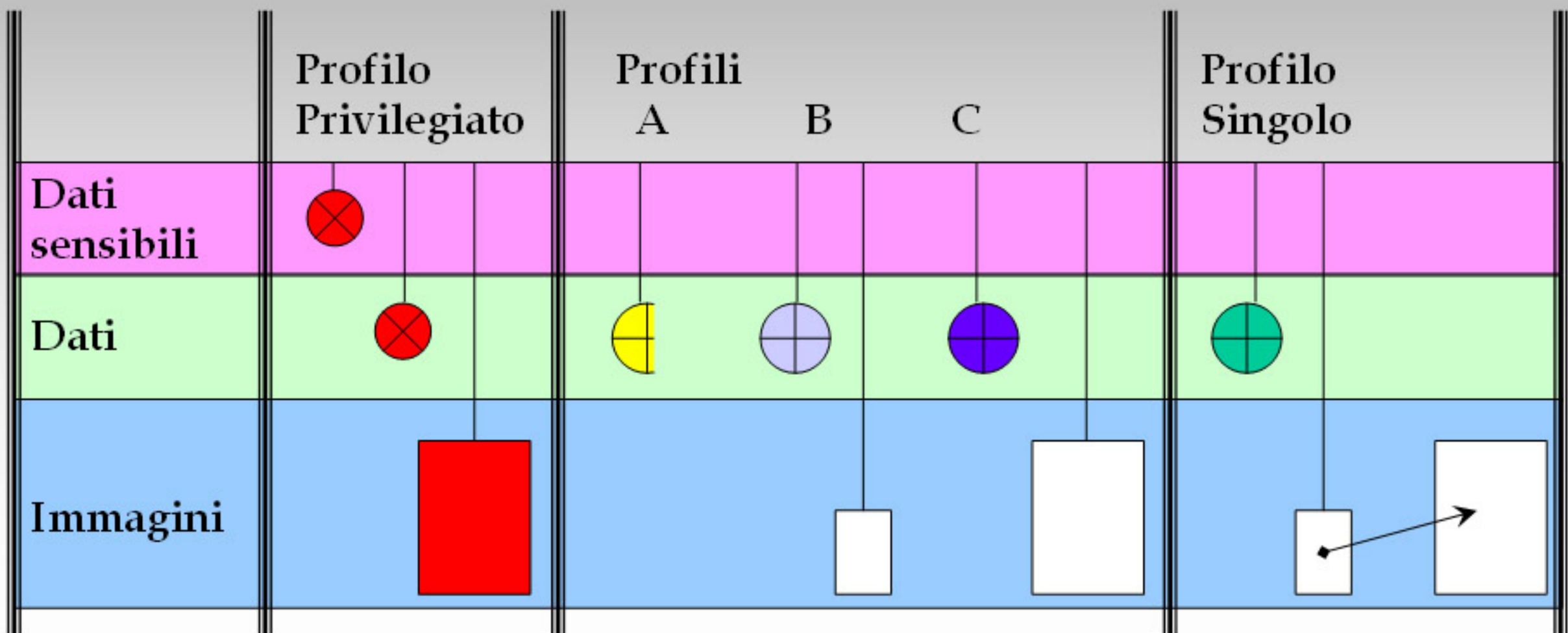
- 99% of searches are made on 1 word or a sequence of few words
  - ✓ There are Google-like solutions eventually
  - ✓ Index of date
  - ✓ Index of relevant words.

# A strong question

- What must be shown in Internet and what not?
- What must be put on Internet?
- Let's change the perspective: the solution must be unique and must be used by all kind of users
  - ✓ Archivist & internal personnel
  - ✓ Researcher
  - ✓ "Turists"

# A strong question ...

- Possible environments ?
- Separate sensible data that require privileged profile
- And graduate profiles or single profile





# Conclusion

- Native XML/XSLT technology
- Application without licences
- Increment of data time-life
- Economy
- Easy change of
  - ✓ Presentation formats
  - ✓ Data structure
- Increment and change of tree structure
  - ✓ add single node,
  - ✓ add structure for new sight of the object
  - ✓ Add new father
- Archivists training